

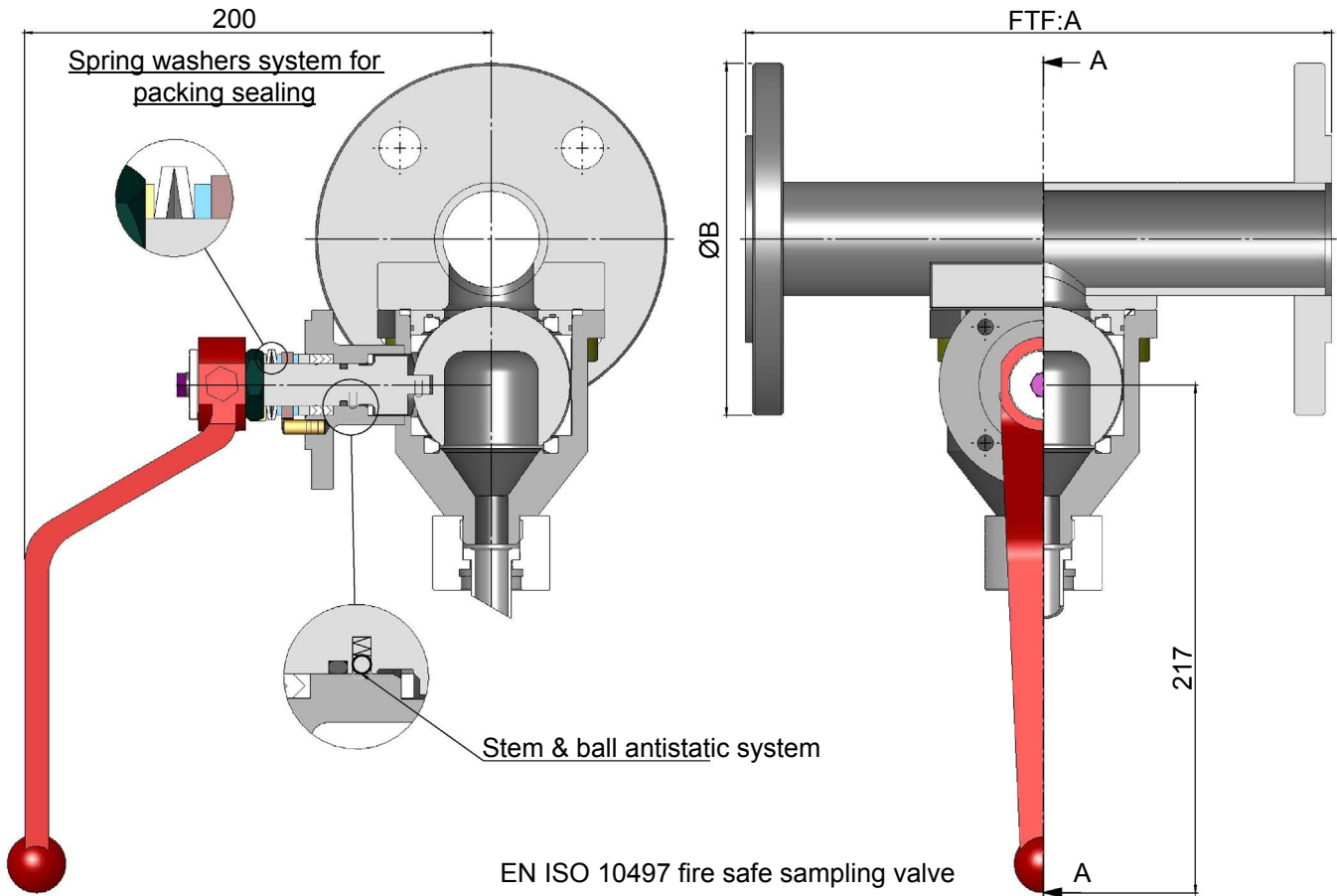
CAPACITIVE BALL SAMPLING VALVE

-Type 8000H -

Description

- **Horizontal mounting.**
- **Size :** DN15 to DN100.
- **Connection :** **Welded flanges** (PN10 - **PN16** - PN20 and PN50) SW, BW, flanged, Guillemin coupling type.
- **Capacity :** 15, 25, 50 and 100ml.
- **Use conditions :** Pressure : -1 to 16 bar / Temperature : -10 to + 250°C.
- **Intern material :** PTFE, **25% glass PTFE**, 25% graphite or 50% stainless steel.
- **O-ring material :** **Nitrile**, black viton, FEP (FDA) covered viton, EPDM.
- **Wetted material :** **1.4404 (316L)**, 1.4306 (304L), steel, nickel alloy (inconel, hastelloy, monel, nickel, zirconium...), 904L (uranus), 1.4571 (316Ti), titanium, tantalum.
- **Options :** Pneumatic (single or double acting) or electrical actuator, heating jacket, manual operator extension, cleaning nozzle, containment box.

Note : bold, standard parameters.

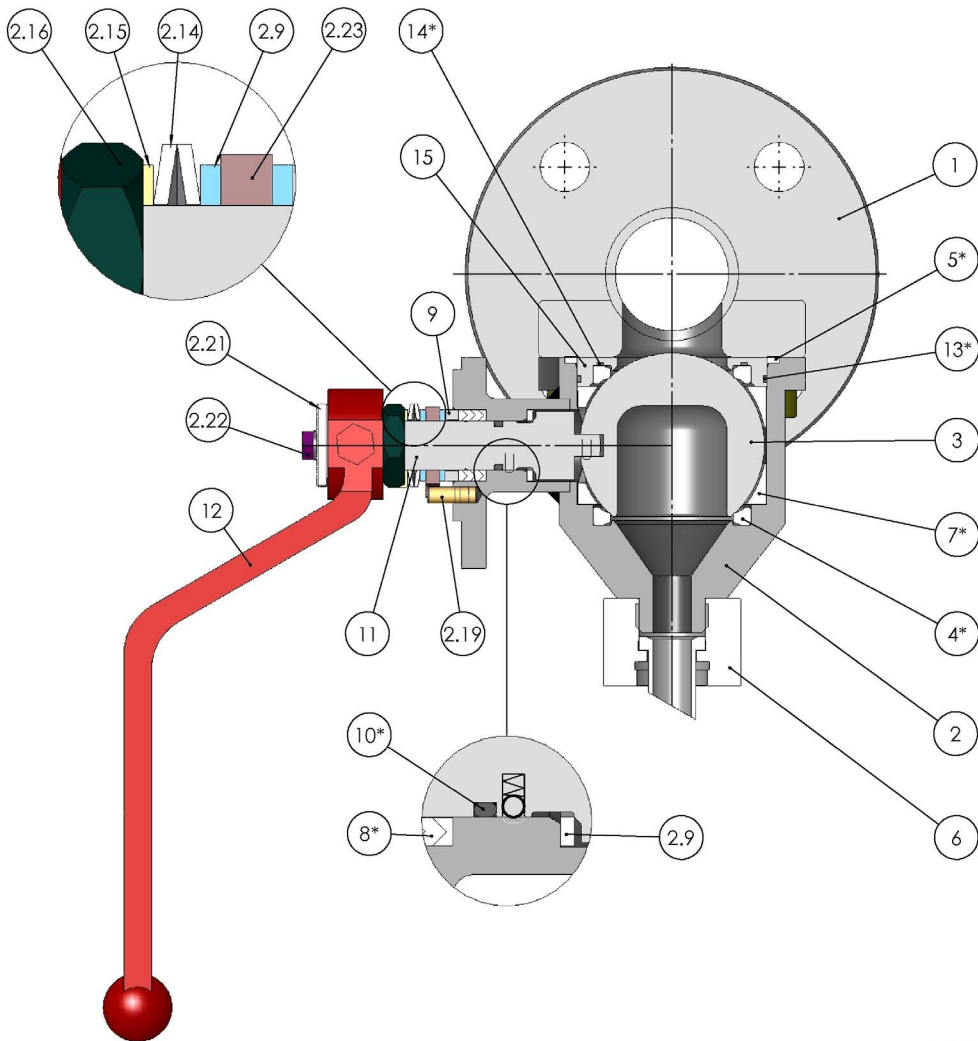


Dimension	DN15	DN20	DN25	DN32	DN40	DN50	DN65	DN80	DN100	
A	250	250	250	250	250	250	250	250	250	
B	PN10/16	95	105	115	140	150	165	185	200	225
	PN20	89	98	108	117	127	152	178	190	229
	PN50	95	117	124	133	156	165	190	210	154

All other manufacturing are available on request

Non-contractual document

CAPACITIVE BALL SAMPLING VALVE
-Type 8000H -



Rep.	Description	Qty
1	Horizontal piping	1
2	Body	1
3	Ball	1
4*	Seat	2
5*	Body gasket	1
6	Connector	1
7*	Insert	2
2.9	Friction washer	3
8*	Packing	2
9	Gland	1
2.14	Washer	2
2.15	Locking washer	1
2.16	Nut	1
10*	Stem O-ring	1
11	Stem	1
2.19	Buttress	2
12	Operating key	1
2.21	Thrust flat washer	1
2.22	Screw	1
2.23	Thrust washer	1
13*	O-ring	1
14*	Seat O-ring	1
15	Seat support O-ring	1

Exonder S.r.l.

📍 **Via Torre, 2 - 28040 Borgo Ticino (NO) - Italy**
 ☎ **+39 0321 908466**
 ✉ **customer@exonder.it**
 🌐 **https://www.exonder.it**

Find out more about our sampling valves:
<http://www.bom.fr/en/sampling-valve>



All other manufacturing are available on request

Non-contractual document