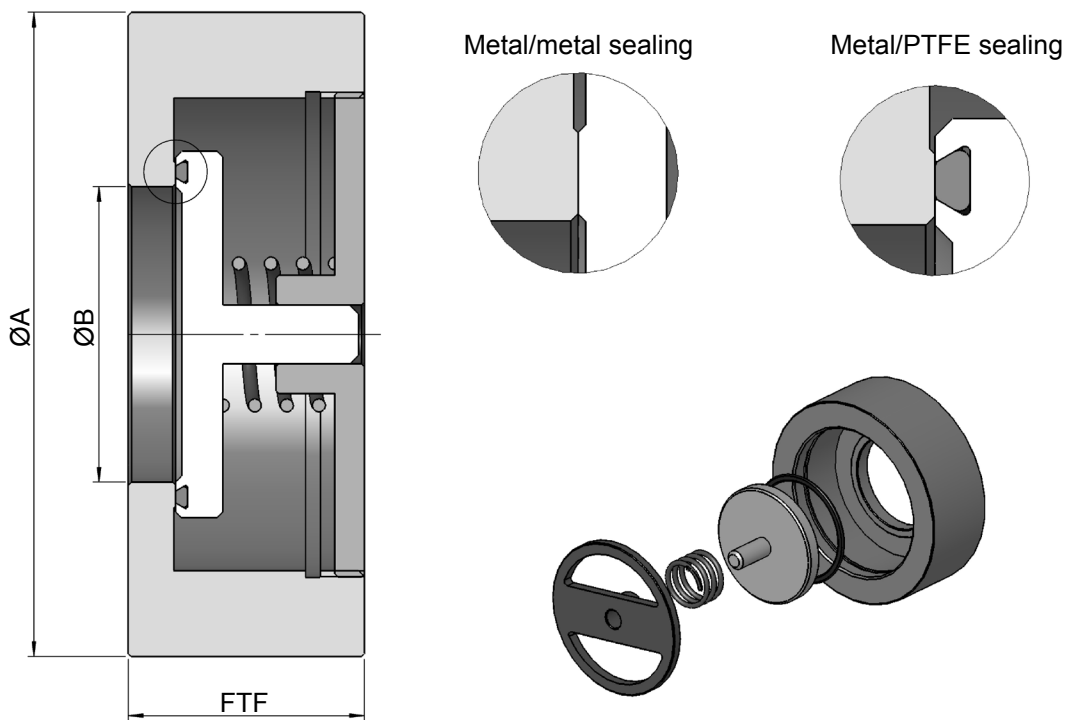


SPRING LOADED AXIAL CHECK VALVE DN15 to DN100
- Type 400 -

Description

- **Size** : DN15 to DN100.
- **Connection** : Screwed-on flanges (PN10/PN16 - PN20 and 300Lbs) or welded flanges, SW, BW, threaded female.
- **Body seal material**: **25% glass PTFE**, graphite, spiral stainless steel/graphite.
- **Plug sealing**: **Metal/metal**, 25% glass PTFE, hard faced.
- **Wetted materials**: **1.4404 (316L)**, 1.4306 (304L), steel, nickel alloy (inconel, hastelloy, monel, nickel, zirconium...) 904L (uranus), 1.4571 (316Ti), refractory (310), titanium, tantalum.
- **Options** : heating jacket.

Note : bold, standard parameters.

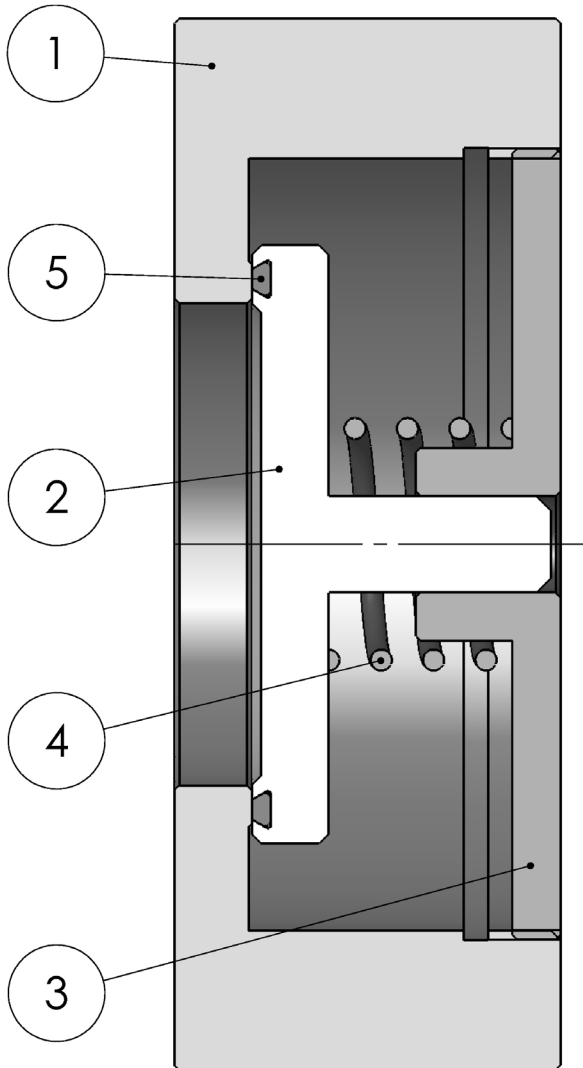


Dimension		DN15	DN20	DN25	DN32	DN40	DN50	DN65	DN80	DN100
A	PN10 to 16	52	61	73	81	94	109	129	144	164
	PN20	46	55	65	75	84	103	122	134	173
	300Lbs	53	65	71	80	94	109	129	148	180
FTF	PN 10 to 40									
	PN20	16	19	22	28	32	40	46	50	60
	300Lbs									
B		15	20	25	32	40	50	65	80	100

All other manufacturing are available on request

Non-contractual document

SPRING LOADED AXIAL CHECK VALVE DN15 to DN100 - Type 400 -



N°	Description	Qty
1	Body	1
2	Check valve	1
3	Washer	1
4	Spring	1
5	Gasket	1

Exonder S.r.l.

📍 Via Torre, 2 - 28040 Borgo Ticino (NO) - Italy
 ☎ +39 0321 908466
 ✉ customercare@exonder.it
 🌐 <https://www.exonder.it>

Find out more about our check valves:

<http://www.bom.fr/en/check-valve>



All other manufacturing are available on request