

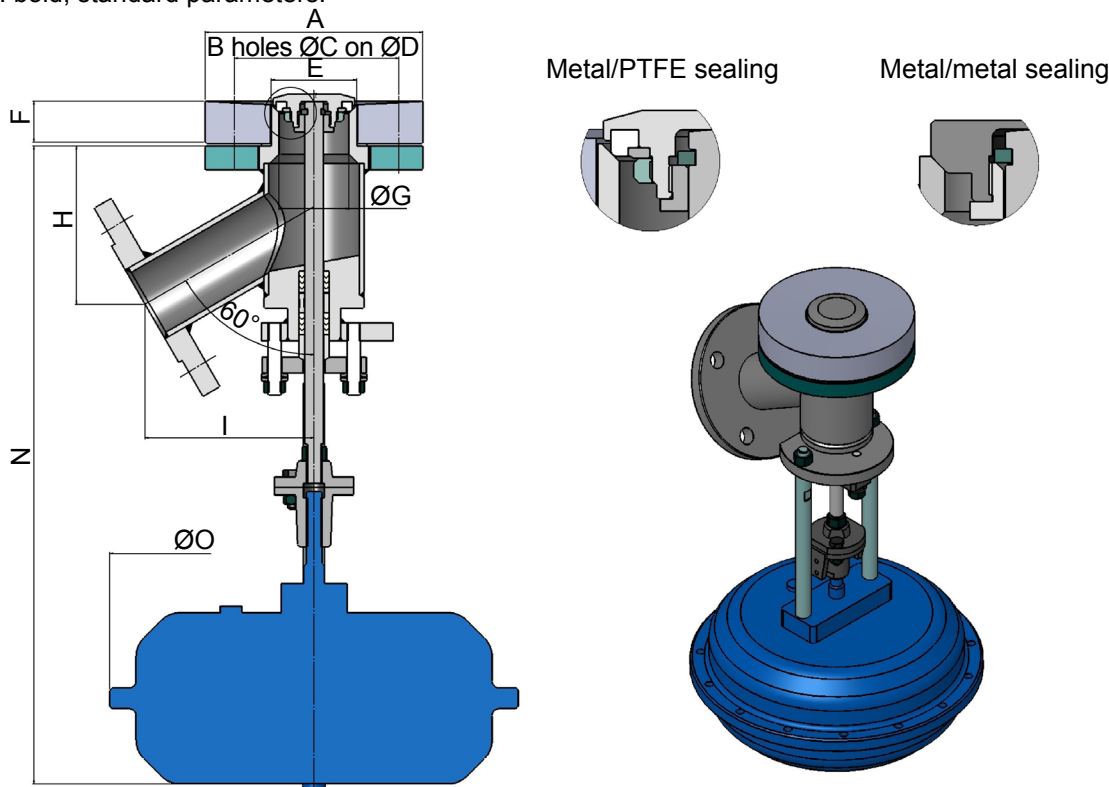
TANK BOTTOM VALVE DN25 to DN300

- Type 4000 pneumatic -

Description

- **Size** : DN25 to DN300.
- **Connection** : **Flange (PN10 - PN16 and PN20)**.
- **Discharge** : **60° outlet**, 75°, other on request.
- **Packing material** : PTFE, **25% glass PTFE rafter**, graphite, O-ring stuffing box.
- **Body seal material** : **25% glass PTFE**, graphite, spiral stainless steel/graphite.
- **Plug sealing** : **Metal/PTFE**, metal/metal, hard faced.
- **Wetted materials** : **1.4404 (316L)**, 1.4306 (304L), steel, nickel alloy (inconel, hastelloy, monel, nickel, zirconium...), 904L (uranus), 1.4571 (316Ti), titanium, tantalum.
- **Options** : Pneumatic (single or double acting) or electrical actuator, manual override, position indicator, mechanical limit switch, nitrogen insufflation / leakage detector in the stuffing box, cleaning nozzle.

Note: bold, standard parameters.

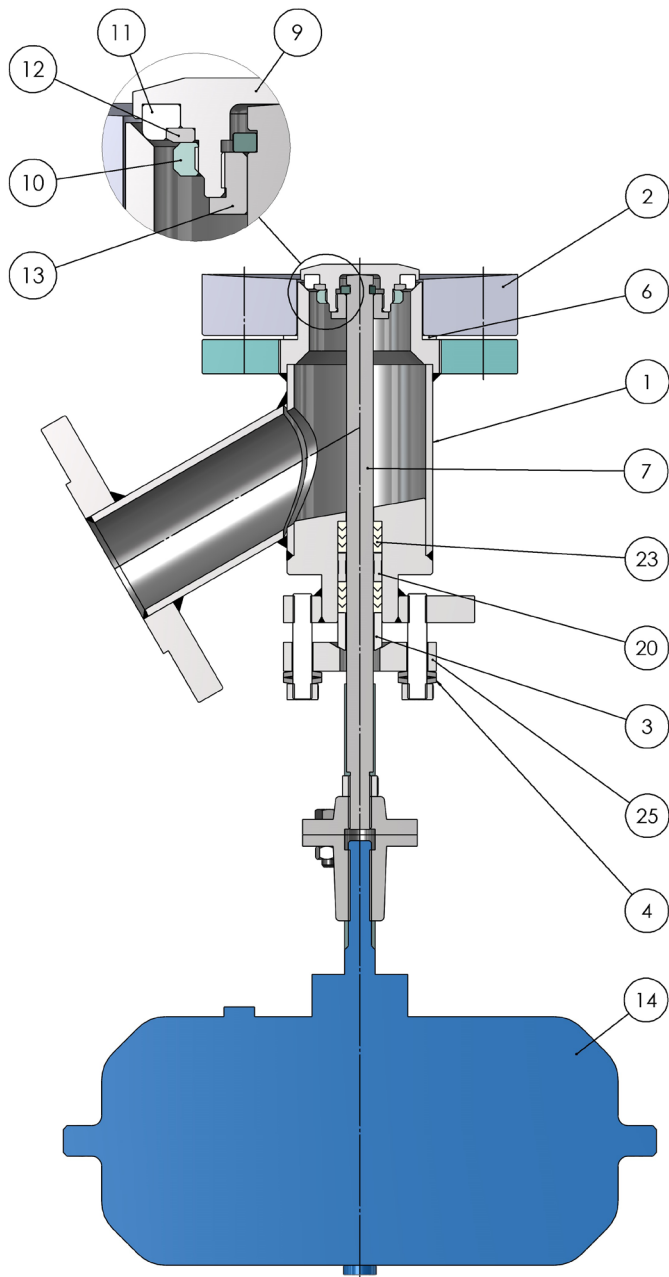


	A	B x ØC	D	E	F	G	H	I	N	O
DN 25	115	4 X Ø14	85	40	30	30	115	110	424	210
DN 32	140	4 X Ø18	100	52	30	40	115	110	450	210
DN 40	150	4 X Ø18	110	52	30	42	125	125	504	310
DN 50	165	4 x Ø18	125	65	32	52	125	130	504	310
DN 65	185	8 x Ø18	145	82	32	65	145	155	554	310
DN 80	200	8 x Ø18	160	95	32	83	170	155	565	310
DN 100	220	8 x Ø18	180	122	32	110	180	180	735	420
DN 150	285	8 x Ø22	240	160	40	155	300	210	1005	600
DN 200	340	8 X Ø22	295	230	40	205	365	270	1326	600
DN 250	395	12 x Ø22	350	280	50	255	*	*	*	600
DN 300	445	12 x Ø22	400	330	70	305	*	*	*	600

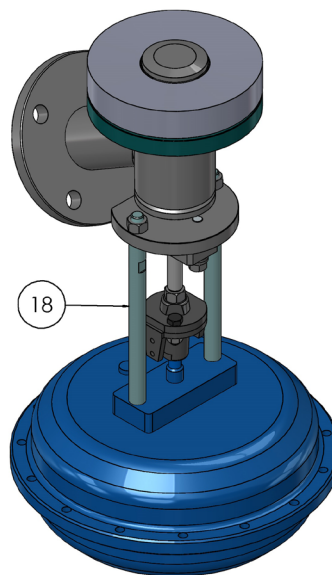
All other manufacturing are available on request

Non-contractual document

TANK BOTTOM VALVE DN25 to DN300
- Type 4000 pneumatic -



N°.	Description	Qty
1	Body	1
2	PAD	1
3	Gland	1
4	Spring washer	4
6	Body gasket	1
7	Stem	1
9	Seat	1
10	Holding nut	1
11	Sealing disk	1
12	Plug disk	1
13	Valve nut	1
14	Pneumatic actuator	1
18	Column	1
20	Lantern	1
23	Packing	4
25	Gland flange	1



Non-contractual document

Find out more about our tank bottom valves:
<http://www.bom.fr/en/tank-bottom-valve>



Exonder S.r.l.

📍 Via Torre, 2 - 28040 Borgo Ticino (NO) - Italy
 ☎ +39 0321 908466
 ✉ customercare@exonder.it
 🌐 <https://www.exonder.it>

All other manufacturing are available on request