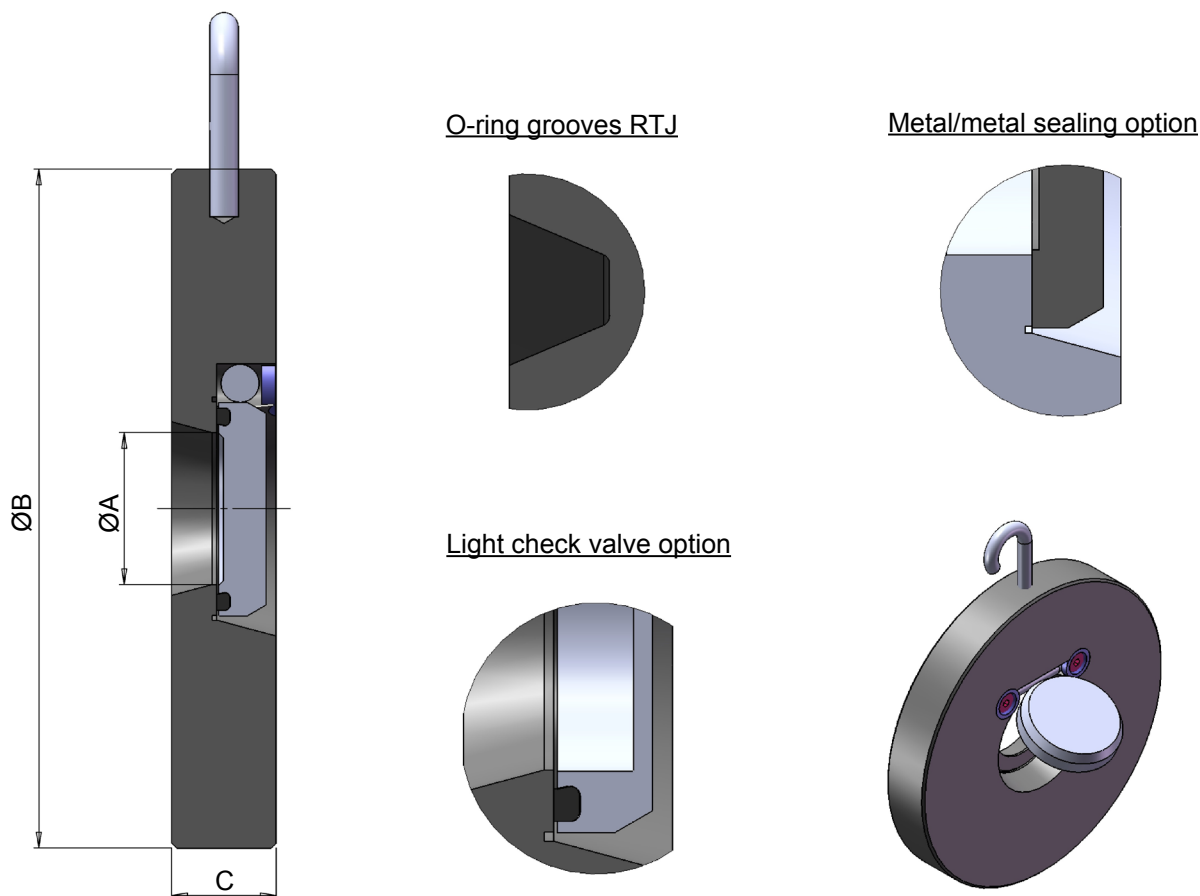


WAFER SWING CHECK VALVE DN40 to DN600
- Type 1400 -

Description

- **Size** : DN40 to DN600.
- **Connection** : Screwed-on flanges (PN10/PN16 - PN20 and 300Lbs) .
- **Plug sealing** : **O-ring**, Metal/metal, 25% glass PTFE, hard faced.
- **Wetted materials** : **1.4404 (316L)**, 1.4306 (304L), steel, nickel alloy (inconel, hastelloy, monel, nickel, zirconium...), 904L (uranus), 1.4571 (316Ti), refractory (310), titanium, tantalum.
- **Options** : Metal/metal sealing, lighted check valve, O-ring grooves RTJ.

Note : bold, standard parameters.

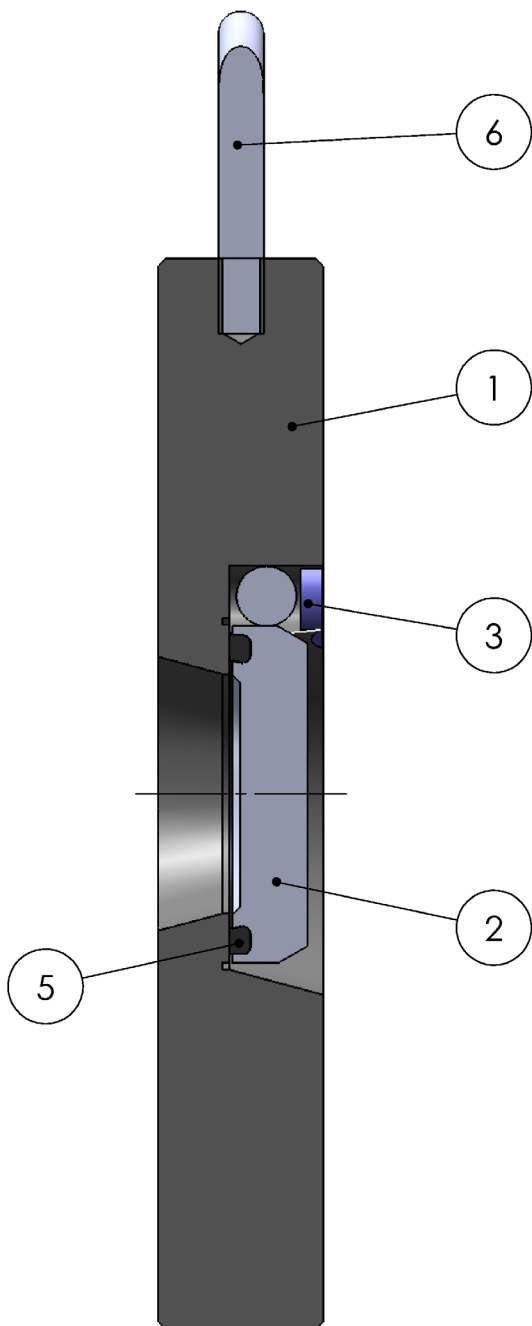


Dimension (PN16)	DN40	DN50	DN65	DN80	DN100	DN150	DN200	DN250	DN300	DN350	DN400	DN500	DN600
A	26	32	40	54	72	114	158	200	235	270	305	386	482
B	94	109	129	144	164	221	276	331	396	446	498	598	698
C	16	16	16	16	16	19	22	32	38	38	48	58	68

All other manufacturing are available on request

Non-contractual document

WAFER SWING CHECK VALVE DN40 to DN600 - Type 1400 -



Rep.	Description	Qty
1	Body	1
2	Disk	1
3	Washer	2
5	O-ring	1
6	Ring	1

Find out more about our check valves:

<http://www.bom.fr/en/check-valve>



Exonder S.r.l.

📍 Via Torre, 2 - 28040 Borgo Ticino (NO) - Italy

☎ +39 0321 908466

✉ customer care@exonder.it

🌐 <https://www.exonder.it>

All other manufacturing are available on request